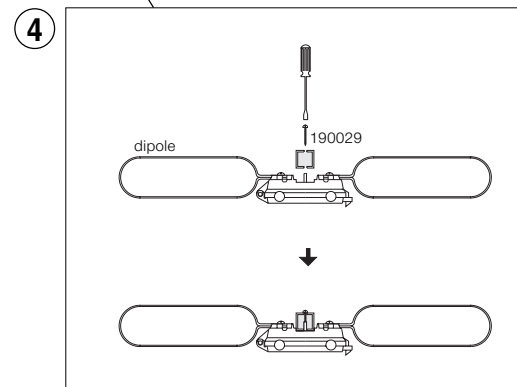
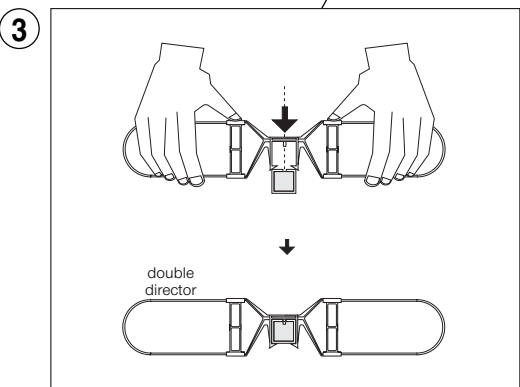
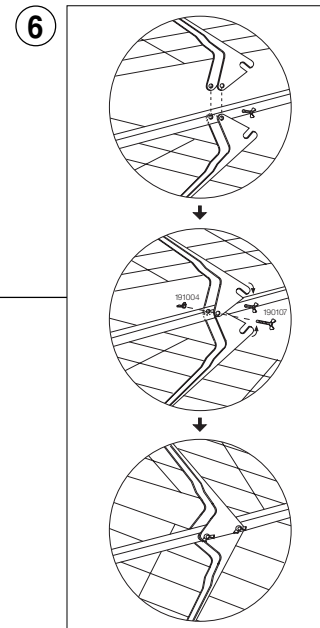
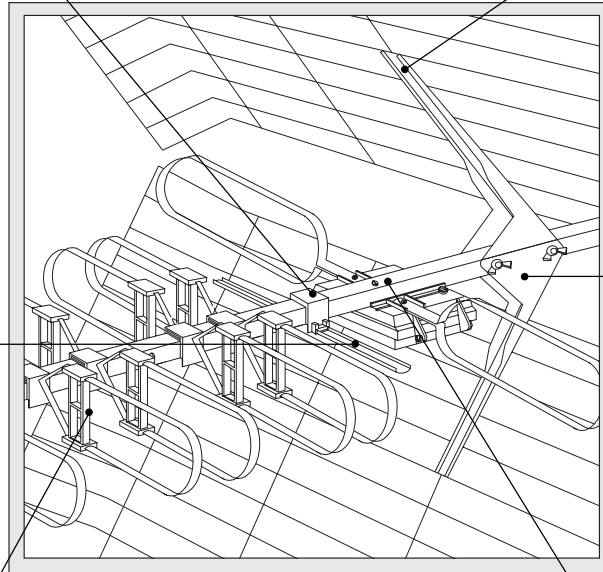
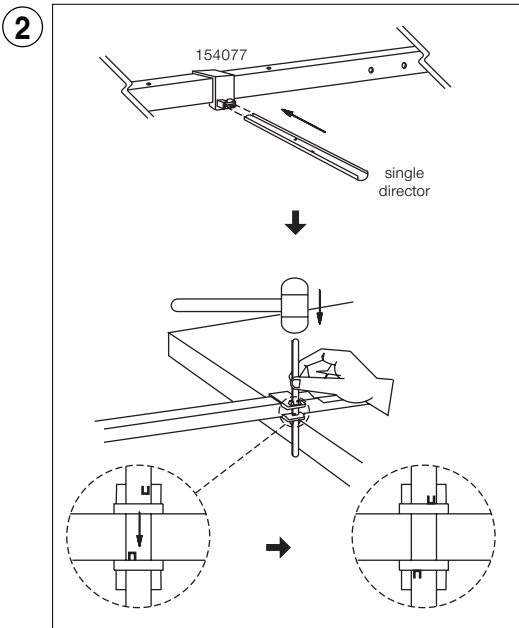
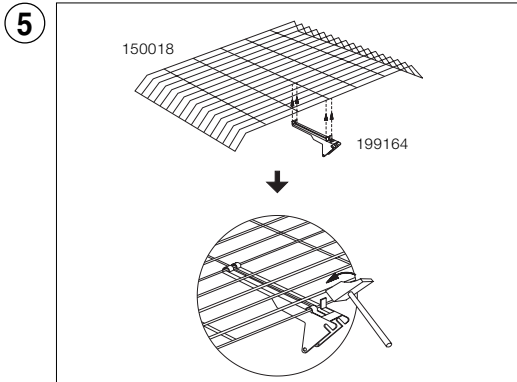
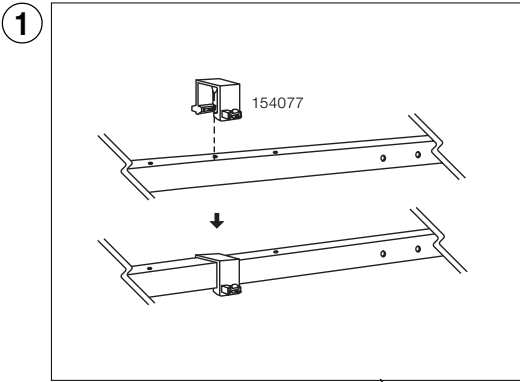


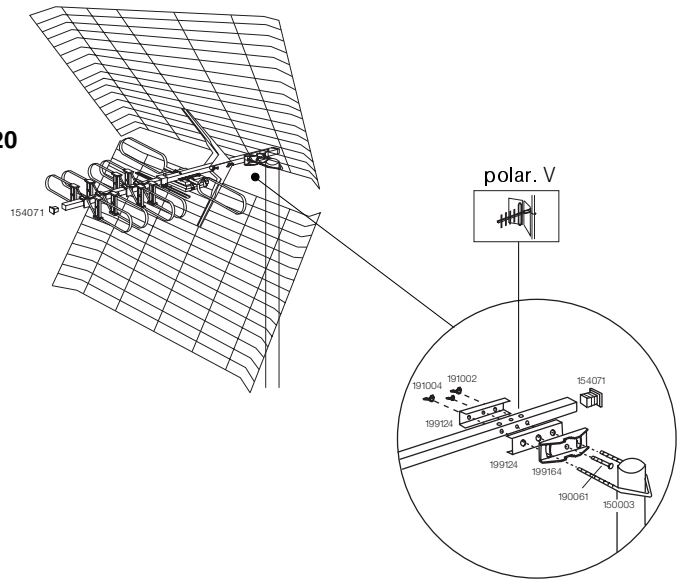
KSG-120
KSG-140
KSG-160



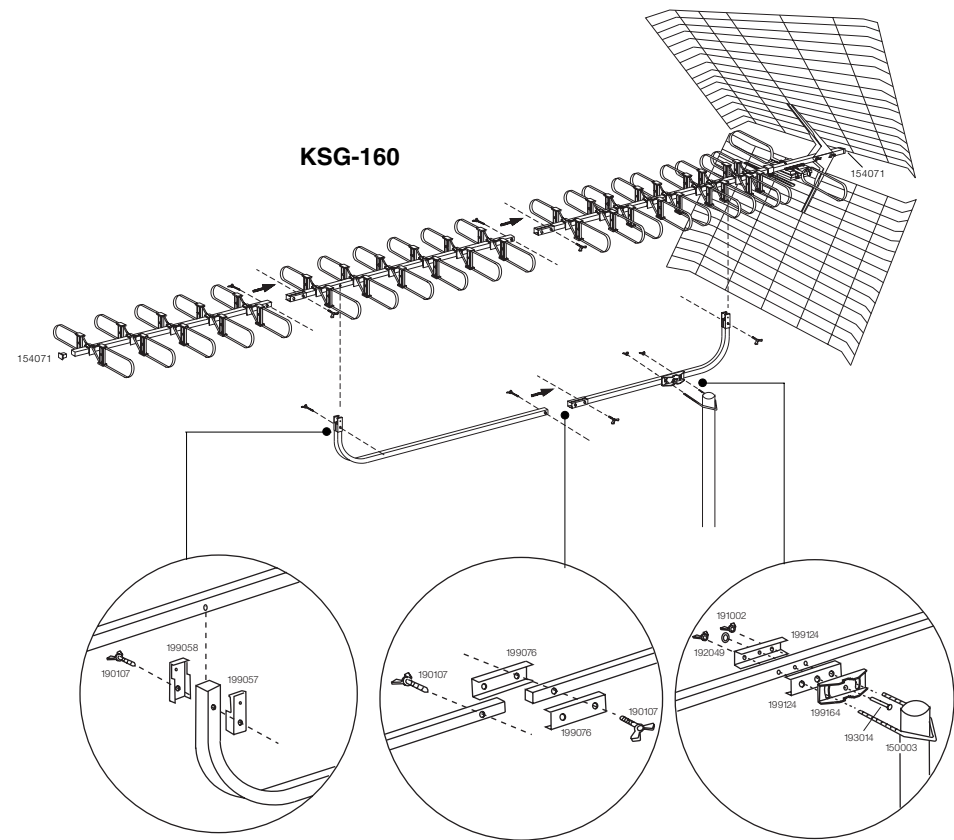
		KSG-120	KSG-140	KSG-160
199164		2	2	2
150003		1	1	1
199122		1	1	1
199124		2	2	2
199076		—	—	6
199279		—	2	—
199057		—	—	2
199058		—	—	2
191002	M-6	2	2	2
191004	M-4	3	3	2
191017	M-4x30	2	4	10
190061	M-4x25	1	1	—
190029	M-3,0x25	1	1	1
193014	4x25	—	—	1
192049		—	—	1
154071		2	2	2
154077		1	1	1
single director		1	1	1
double director		4	10	20
dipole		1	1	1
150018		2	2	2



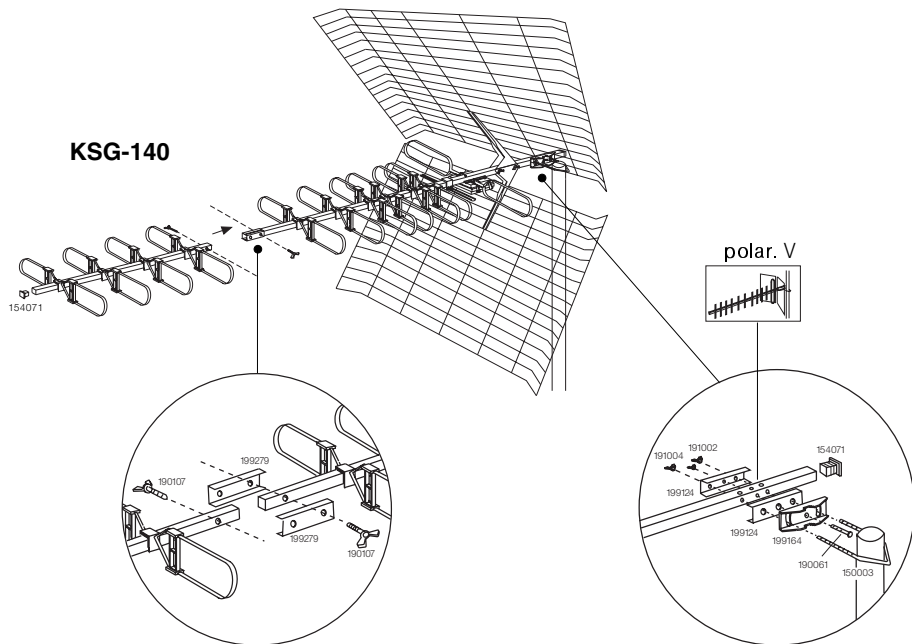
KSG-120







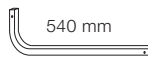



KSG-160



KSG-140



KSG-120	 470 mm				
KSG-140	 510 mm	 595 mm			
KSG-160	 645 mm	 695 mm	 770 mm	 540 mm	 510 mm